



# Connect the front- and back-of-house with simplified order management

Back with an even bigger screen, the new Clover Kitchen Display fits in every kitchen layout. Whether it's overhead or traditional mounting, the goal remains the same: streamline order management.

## Built to make orders make sense

**One screen. One source of truth.** No pens, no printers, no lost tickets. Just a real-time look at ticket times, order statuses, and everything else that keeps service moving smoothly, especially during swings in order volume.

**Efficiency is money.** Process more orders while lowering food waste with the help of order cancellation and edit notifications. The result? A boost in revenue and overall profitability.

**Getting better all the time.** With reporting on key fulfillment metrics like prep time and move, you can track your team's performance and adjust as you go.

## Built to integrate with all things Clover

- Clover Kitchen Display System automatically connects with Clover POS, Clover Online Ordering and BentoBox Online Ordering for streamlined communication between front- and back-of-house
- Place an order on any device in the restaurant, and it will fire straight to the Kitchen Display System
- Print Runner tickets on your network connected printer directly from the Kitchen Display System

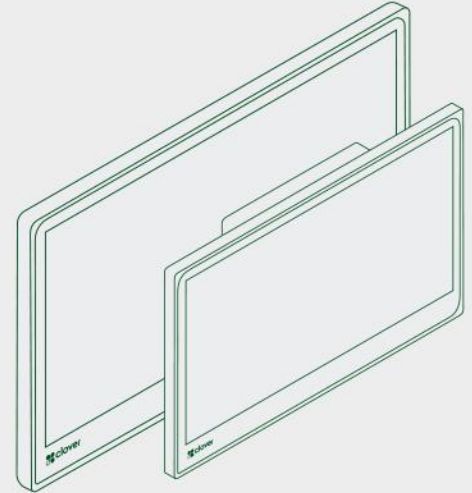
## Features include:

- App notifications for cancellations, order changes
- Multi-level fulfillment
- Expo mode
- Item level routing
- Prep time reporting
- Color-coded order status
- Runner ticket printing



## Which Clover Kitchen Display System is right for your restaurant?

Your needs	14" Screen	24" Screen
Small kitchens/individual cooking stations	✓	✗
Large kitchens	✗	✓
Anti-fingerprint and anti-glare	✓	✓
Water and heat protection	✓	✓
Overhead install options: (wall/countertop/100mm Vesa)	✓	✓
Overhead mounting (for improved visibility) <sup>1</sup>	✗	✓
Bump bar	✓	✓
Audio notifications	✓	✓
Connectivity (WiFi, LAN and PoE+) <sup>2</sup>	✓	✓



<sup>1</sup>Clover's 24" Kitchen Display System ensures precise order visibility, promoting communication and coordination for all staff with its overhead views. While smaller kitchens enjoy the same benefits with the 14" screen, our 24" screen shines in larger spaces, optimizing the flow of your kitchen.

<sup>2</sup>Power-over-ethernet

## With Clover Kitchen Display System, everyone benefits:



### Managers/Expo

No more order inaccuracy = increased customer satisfaction.



### Servers

Easily fire orders to the Kitchen Display System from tables and stations using any connected device.



### Kitchen staff

Stay on top of every order by getting all the details you need from one (indestructible) screen.

## Introducing the Bump Bar: The perfect partner to your Kitchen Display System

Clover's bump bar provides access to your Kitchen Display System with the most important functions right at your fingertips – all without dirtying the screen. Compatible with both 14" and 24" screens, restaurants with an overhead Kitchen Display System are best suited for the bump bar in order to access from down below.



- Touch responsive interface
- "Bump" tickets feature, order notes, completed orders and ticket pages
- USB connectivity (cable included)
- Mounting options (angle bracket included), Vesa 2.95 in